

# Power supply module - APS-90.1/APS-90.2

AutoVoice BR-200

Product datasheet

## Features

- 4 channels technology and I<sup>2</sup>C BUS logic
- Additional power supply module 230V / 24V or 230V / 48V
- Intended for installations with a large number of modules and few amplifiers
- Remote enable and disable (standby), for example, by means of a main clock
- Advanced design with attractive and modern design

## Description

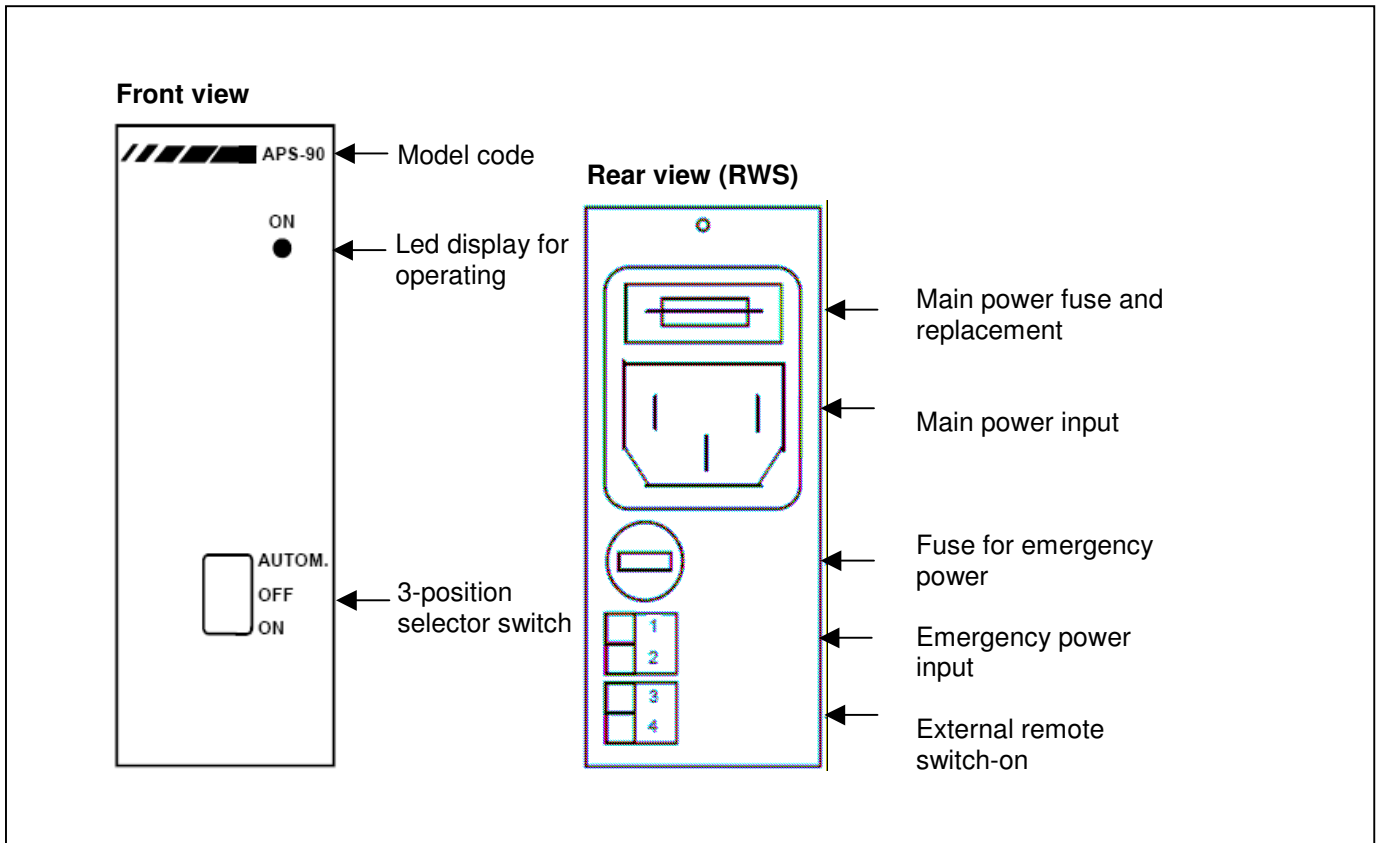
- Intended for systems with few amplifiers and a large number of modules
- Reconnection is possible by using a 3-step (ON/OFF/AUTOM) button with LED indicator
- Also used to supply power for AutoVoice BR-200 modules in system configurations without AutoVoice system amplifier series AM and BO (combined with other devices)
- Applicable connection module RWS-90 on the rear



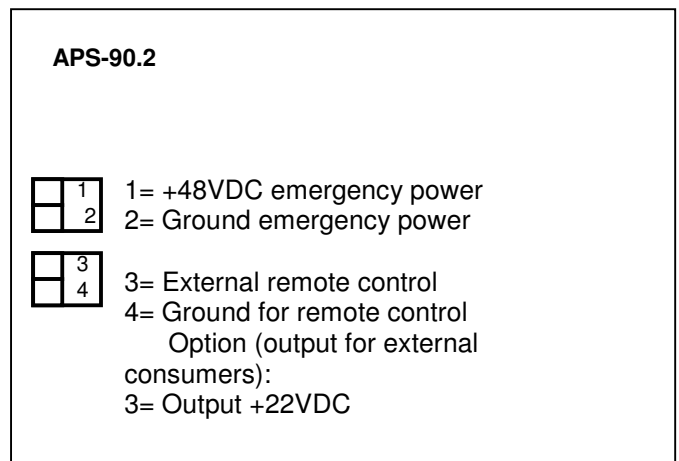
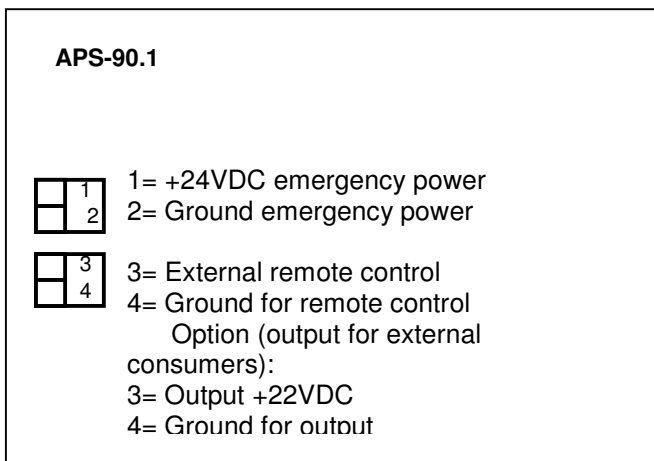
Part number	Description
116-BRG-APS90.1	Internal power supply 230V/24V
116-BRG-APS90.2	Internal power supply 120V/48V

## Technical specifications

APS-90.1 Module	
Internal system supply	+ 17V DC/ 2 A
Connection Module RWS-90.1 at the rear providing	Mains output with integrated fuse 230V /1A Battery fuse: 3,15A Plug-on termination block, 2-poled, for 24V battery supply. Plug-on termination block, 2-poled, for connection of remote enable/disable (AUTOM.)
APS-90.2 Module	
Internal system supply	+ 17V DC/ 2 A
Connection Module RWS-90.1 at the rear providing	Mains output with integrated fuse 230V /1A Battery fuse: 3,15A Plug-on termination block, 2-poled, for 48V battery supply. Plug-on termination block, 2-poled, for connection of remote enable/disable (AUTOM.)



**Connections**



**AUTRONICA FIRE AND SECURITY AS**

Head office, Trondheim, NO-7483 Norway Tel: +47 73 58 25 00, fax: +47 73 58 25 01, e-mail: info@autronicafire.no  
 Oil and Gas division, Stavanger, Norway Tel: +47 51 84 09 00, fax: +47 51 84 09 99  
 Maritime division, Spikkestad, Norway Tel: +47 31 29 55 00, fax: +47 31 29 55 01

Visit Autronica Fire and Security AS' website: [www.autronicafire.com](http://www.autronicafire.com)